



# PRI-135 / 265

Warranty:  
2 year parts -  
Life time on workmanship



**Options:**  
De-stoner & Silo -  
Mixing Tray Water Quench System

COLOR OPTIONS	
Red	
Royal Blue	
Hunter Green	
Black	
Canary Yellow	
Burgandy	

## Technical Specifications

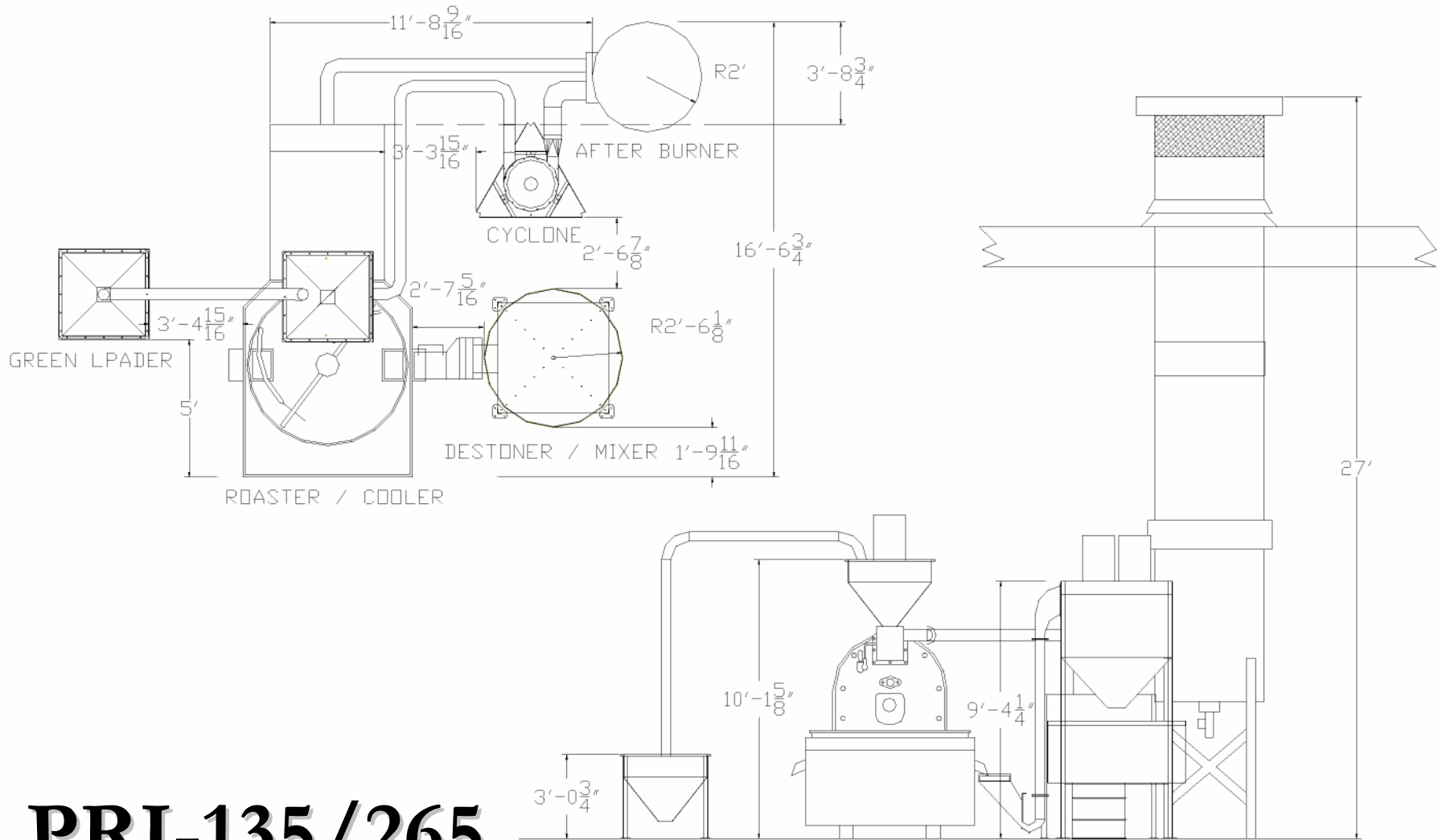
Batch Capacity PRI-135	Green 155 lbs.	Roasted. 135 lbs
Batch Capacity PRI-265	Green 310 lbs.	Roasted. 265 lbs.
Roasted Capacity per hour. PRI-135		405 lbs
Roasted Capacity per hour. PRI-265		795 lbs.
Crated Shipping Weight.		4500 lbs.
Electrical	Single or Three Phase	220V=50 amps
CFMS	Roasting = 420	Cooling = 2250
Gas Supplied = 1" inlet	Natural	Propane
Venting	Cooler = 10"	Cyclone = 10"

## Standard Features

- Two-stage digital temperature controller.
- Speed Controller Direct Drive
- Independent Chaff Cyclone collector.
- Brushed Stainless Face Plate.
- Stainless & Aluminum Trim.

## Pricing

- PRI-135 with loader
- PRI-265 with loader
- De-stoner and Mixing Tray



# PRI-135/265

## Layout Sheet

©2003 Primo Roasting Equipment

PRI 135		
REV. 1	09/12/02	TOM OVERY
PRIMO ROASTING INC. 1717 NEWPORT CIRCLE SANTA ANA, CA 92705 1-714-556-5259		