



PRI-20



COLOR OPTIONS	
Red	
Royal Blue	
Hunter Green	
Black	
Canary Yellow	
Burgandy	

Warranty:
2 year parts -
Life time on workmanship

Technical Specifications

Batch Capacity Est. Loss 15-25%	Green 35 lbs.	Roasted. 25 lbs.
Roasted Capacity per hour.		100 lbs.
Crated Shipping Weight.		1850 lbs.
Dimensions	69" High x 66" Deep x 29" Wide	
Electrical	110v=25.5 Amps	220v=14.5 Amps
CFMS	Roasting = 360	Cooling = 1125
Gas Supplied 3/4" inlet	Natural	Propane
Venting	Cooler = 6"	Cyclone = 6"

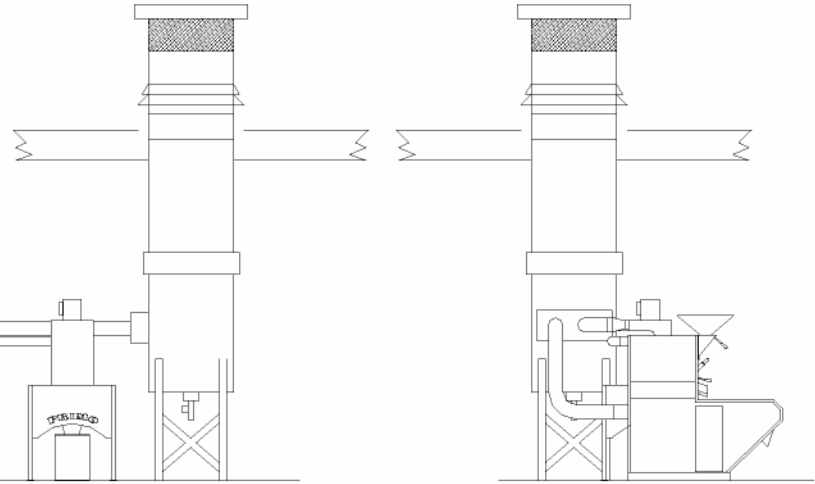
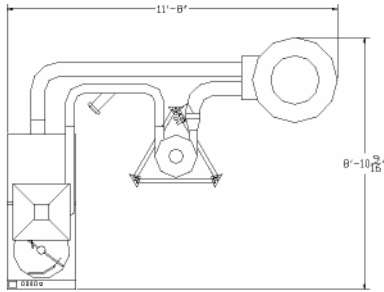
Standard Features

- Two-staged digital temperature controller.
- Chaff Cyclone collector.
- Brushed stainless steel face plate.
- Aluminum Trim.
- IR Burners

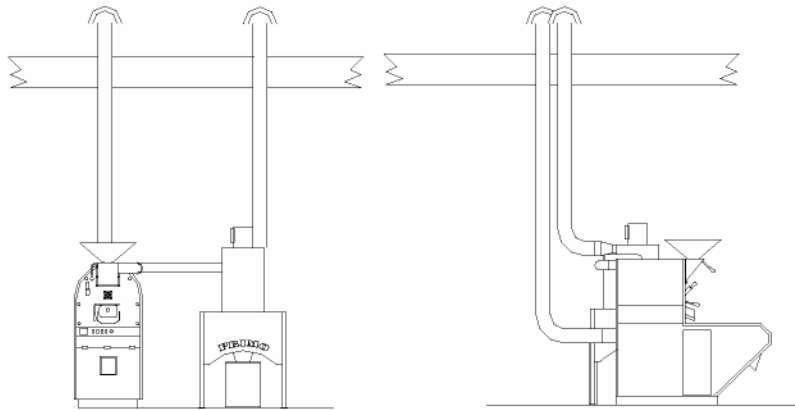
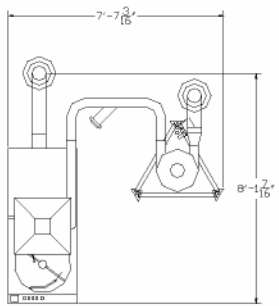
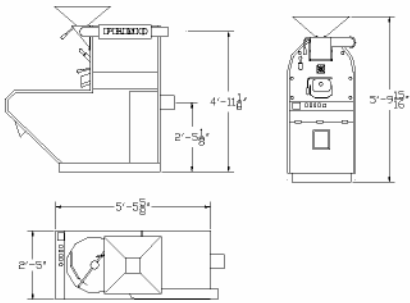
Upgrades Available

- Custom Paint
- Fire Suppression in Cyclone
- Vacuum Loader

PRI-20 Layout Sheet



WITH AFTERBURNER



WITHOUT AFTERBURNER

©2003 Primo Roasting Equipment

PRI-20 LB-35 LB		
REV. 1	09/12/02	TOM OVERY
PRIMO ROASTING INC. 1717 NEWPORT CIRCLE SANTA ANA, CA 92705 1-714-556-5259		